

OUR WIDE RANGE OF

Tiger[®]



Sure Connections for Safety Lines

- ❖ BALL VALVES
- ❖ NEEDLE VALVES
- ❖ MANIFOLD VALVES
- ❖ TUBE FITTINGS
- ❖ PIPE FITTINGS

Swastik
Engineering Works



Company Brief

Swastik Engineering Works are maintaining high quality products with the brand name of **Tiger**[®] manufacturing various types of instrumentation hardware fittings. With more than three decades experience, we believe in continuously improving our products and services. So that customers requirements for safety and performance are satisfied under the brand name of **Tiger**[®].

The reputation we enjoy for the excellence of design, material and workmanship of our product is the result of hard labour and careful study of the exact requirement of the various industries in the class of goods in which we are working. **Tiger**[®] Valves & Fittings are designed to withstand high-pressure service and are capable to satisfy various stringent tests like Pressure impulse, Vibration test, Vacuum test, Temperature cycle test, make & Remake test etc. as per BS 4368 Part IV at our in house testing facilities. The above tests have been periodically witnessed by various inspection agencies / consultants like, EIL, DNV, LRIS, BVQI, ONGC, BARC, BHEL, TOYO to name few.

In today modern world, applications are wide and that include Nuclear Power Plants, Refineries, Petrochemicals, Fertilizers, Thermal Power stations and may more and to meet their specific requirements, we are always trying to improve quality of the products with quality consciousness. We shall, at all time welcome a suggestion from any customer present or prospective, who could help us in bringing our products to their fullest satisfaction to give **Tiger**[®] valves the stamp of guarantee. **Tiger**[®] Fittings and Valves are available in variety of construction material ranging from SS (low carbon also), C.S. Monel, and Brass material are tested at reputed Government approved laboratories confirming to ASTM, ANSI, IS etc. standards.



GATE VALVES

Description

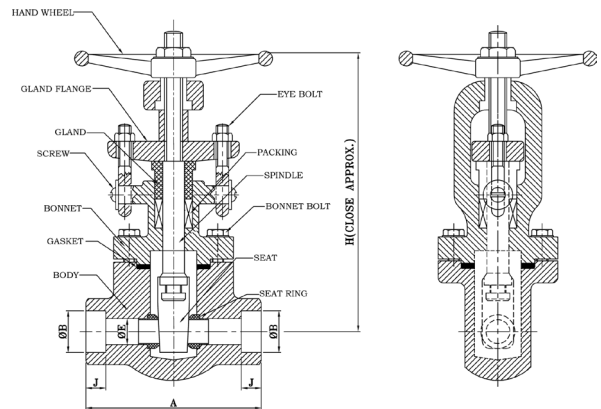
Tiger Brand Gate valves offers a comprehensive range of Gate Valves. For the past decades our customers worldwide have trusted us to provide them with consistent and reliable valve products in their most severe and critical service. Gate Valve are designed to operate fully open or closed. Because they operate slowly they prevent fluid hammer which is detrimental to piping systems. There is very little pressure loss through gate valve. In the fully closed position, gate valves provide a positive seal under pressure.

Features

- Available in a variety of end connections.
- Available in Stainless Steel Spiral wound and Asbestos Graphite gasket for more safety.
- Various types of Coating used to avoid corrosion.
- Hydraulic Test Pressure: (BODY) up to 210 Kg/Cm².
- Hydraulic Test Pressure: (SEAT) up to 150 Kg/Cm².
- Pneumatic Test Pressure: up to 7 Kg/Cm².
- NDT (Non Destructive Test) available on request.
- IBR Form III C will be available on request.
- Standards Followed: ASME B16.34/ B16.11/B1.20.1/BS 1873/API 602/ISO 15761.
- Marking and Identification of Valves as per MSS-SP-25.

Gate Valve, Bolted Bonnet, NBSW, 800#

Product Drawing



It is primarily used for on-off conditions or for isolation. (Special requirements available on request)

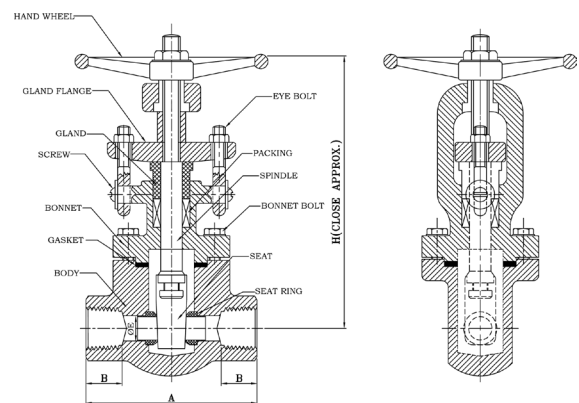
Product Dimension Table

INCH						
Part No.	Size	A	B	E	J	H
GVBB8SW	1 / 2" NBSW	87.0	22.0	12.0	10.0	145.0
GVBB12SW	3 / 4" NBSW	90.0	27.0	17.0	13.0	160.0
GVBB16SW	1" NBSW	102.0	34.0	22.0	13.0	200.0
GVBB24SW	1.1 / 2" NBSW	128.0	49.0	32.0	13.0	285.0

DIMENSIONS ARE SUBJECT TO CHANGE WITHOUT PRIOR NOTICE

Gate Valve, Bolted Bonnet, Threaded, 800#

Product Drawing



It is primarily used for on-off conditions or for isolation. (Special requirements available on request)

Product Dimension Table

INCH					
Part No.	Size	A	B	E	H
GVBB8N	1 / 2" NPTF	87.0	19.0	12.0	145.0
GVBB12N	3 / 4" NPTF	90.0	19.0	17.0	160.0
GVBB16N	1" NPTF	102.0	24.0	22.0	200.0
GVBB24N	1.1 / 2" NPTF	128.0	25.0	32.0	285.0

DIMENSIONS ARE SUBJECT TO CHANGE WITHOUT PRIOR NOTICE



Swastik

Engineering Works

Mistry Industrial Estate, I.B. Patel Road,
Goregaon (East), Mumbai - 400 063 (INDIA)
Tel.: 022-26859963, 26853017 • Fax : 022-26853016
Email : tigerswastik@gmail.com
Website : www.tigerswastik.com