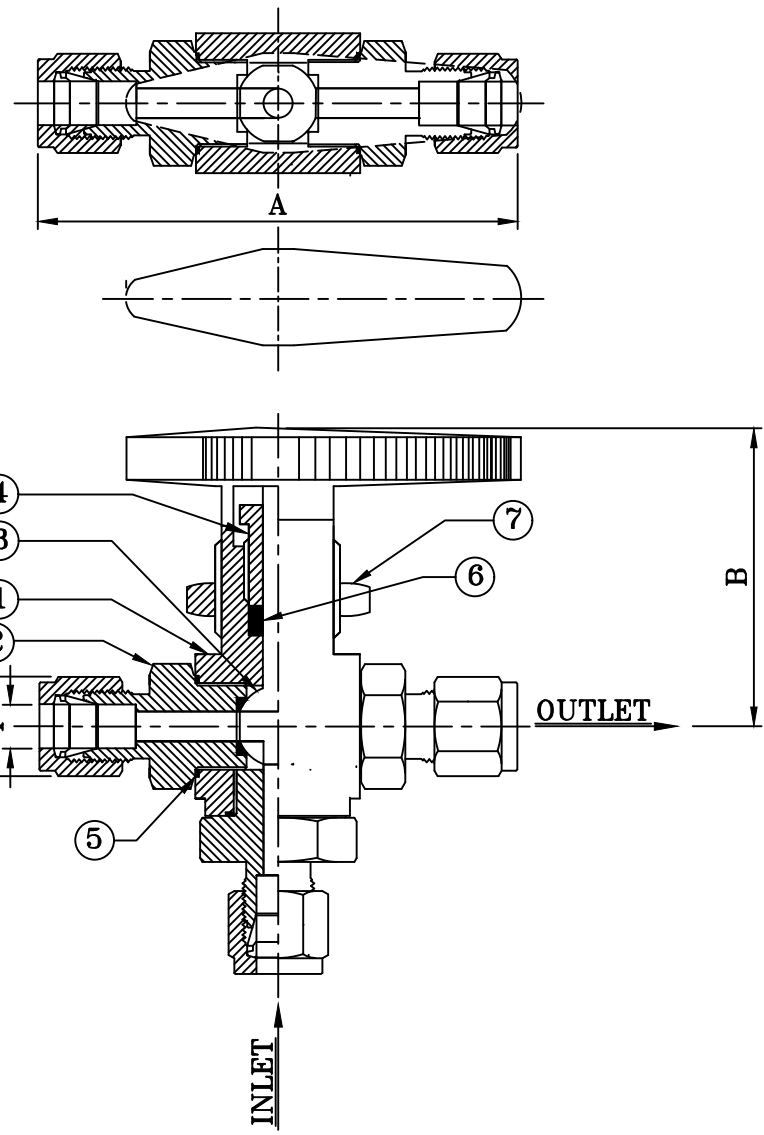


3 WAY BALL VALVE-OD

THIS DRAWING IS THE PROPERTY OF "M/S.SWASTIK ENGINEERING WORKS" THE BRAND NAME ~~Tiger~~. THIS DRAWING SHOULD NOT BE COPIED, TRACED & LOAD BY ANY PURPOSE BY ANY FIRM WITHOUT GETTING PERMISSION IN WRITING FROM "M/S.SWASTIK ENGINEERING WORKS" THIS DRAWING SHOULD BE RETURNED BACK TO "M/S.SWASTIK ENGINEERING WORKS" IN ORIGINAL.



8.	HANDLE	1	ABS
7.	PANEL NUT	1	A276 TYPE 304/304L/316/316L
6.	GLAND BUSH	1	P.T.F.E/TEFLON
5.	PACKING	3	P.T.F.E/TEFLON
4.	GLAND NUT	1	A276 TYPE 304/304L/316/316L
3.	BALL	1	A276 TYPE 304/304L/316/316L
2.	ADAPTORS	3	A276 TYPE 304/304L/316/316L
1.	BODY	1	A276 TYPE 304/304L/316/316L
SR.NO	DESCRIPTION	QTY	MATERIALS
BILL OF MATERIAL			

3 WAY BALL VALVE (OD TYPE)					
PART NO	SIZE	T (OD)	A	B	G
3WBV4T	1/4"	1/4"	61.4	42.0	14.2
3WBV6T	3/8"	3/8"			17.5
3WBV8T	1/2"	1/2"			22.2

NOTES:
 1) ALL DIMENSIONS ARE IN MM. UNLESS SPECIFIED.
 2) PARTS TO BE FREE FROM BURR.
 3) GENERAL TOLERANCE : ± 1MM.
 4) REF. STD. : ASTM F1387.

TEST PRESSURE						DATE	BY	CUSTOMER :
AIR TEST		7 Kg/Cm ²				01.04.10	AL	TITLE : 3 WAY BALL VALVE, ODT END
HYDRO TEST	BODY	210 Kg/Cm ²						Swastik Engg. Works GOREGAON (EAST), MUMBAI-400 063.
	SEAT	151 Kg/Cm ²						
		NO	DESCRIPTION	SIGN	DATE			MATERIAL :
		REVISION				SCALE : NTS		DWG. NO: SEW-3BV-T
								REV.:

Swastik Engg. Works
 GOREGAON (EAST), MUMBAI-400 063.
 MATERIAL :
 DWG. NO: SEW-3BV-T
 REV.: