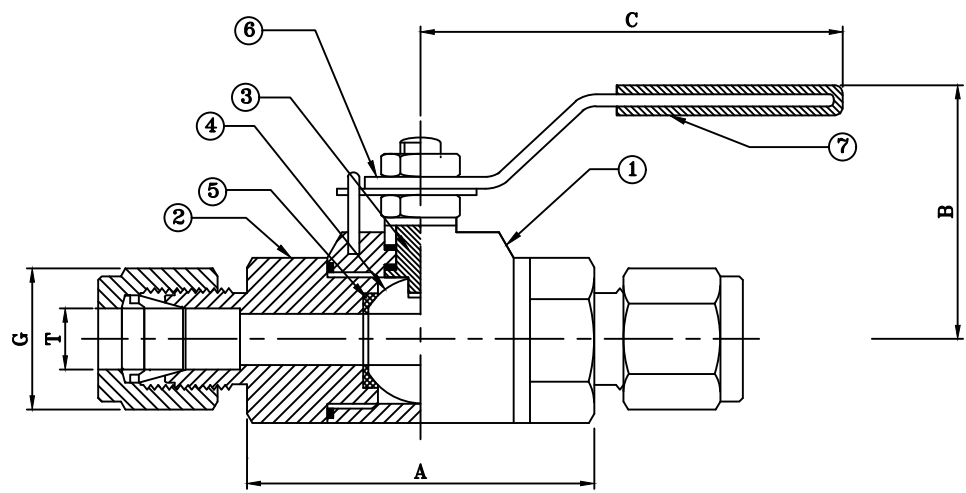


2 WAY BALL VALVE SINGLE PIECE OD TYPE



7.	SLEEVE	1	P.V.C.
6.	HANDLE	1	C.S. (POWDERED COATED)
5.	SEAT	1	P.T.F.E/TEFLON
4.	BALL	1	A276 TYPE 304/304L/316/316L
3.	SPINDLE	1	A276 TYPE 304/304L/316/316L
2.	ADAPTOR	1	A276 TYPE 304/304L/316/316L
1.	BODY	1	A276 TYPE 304/304L/316/316L
SR.NO	DESCRIPTION	QTY	MATERIALS
BILL OF MATERIAL			

2 WAY BALL VALVE (OD TYPE)						
PART NO	SIZE	T (OD)	A	B	C	G
2WBVSP4T	1/4"	1/4"	50.0	30.0	65.0	14.2
2WBVSP6T	3/8"	3/8"	50.0	30.0	65.0	17.5
2WBVSP8T	1/2"	1/2"	60.0	45.0	80.0	22.2
2WBVSP12T	3/4"	3/4"	80.0	75.0	130.0	28.5

NOTES:
 1) ALL DIMENSIONS ARE IN MM. UNLESS SPECIFIED.
 2) PARTS TO BE FREE FROM BURR.
 3) GENERAL TOLERANCE : ± 1MM.
 4) REF. STD. : ASTM F1387

TEST PRESSURE				DATE	BY
		AIR TEST		7 Kg/Cm ²	DRAWN 01.04.10
HYDRO TEST	BODY	210 Kg/Cm ²		CHECKED	
	SEAT	151 Kg/Cm ²		APPROVAL	
			NO	DESCRIPTION	SIGN/DATE
			REVISION		SCALE : NTS

CUSTOMER :	
TITLE : 2 WAY BALL VALVE, SINGLE PIECE OD CONNECTION.	
Swastik Engg. Works	
GOREGAON (EAST), MUMBAI-400 063.	
MATERIAL :	REV. :
DWG. NO : SEW-BVSP-T	