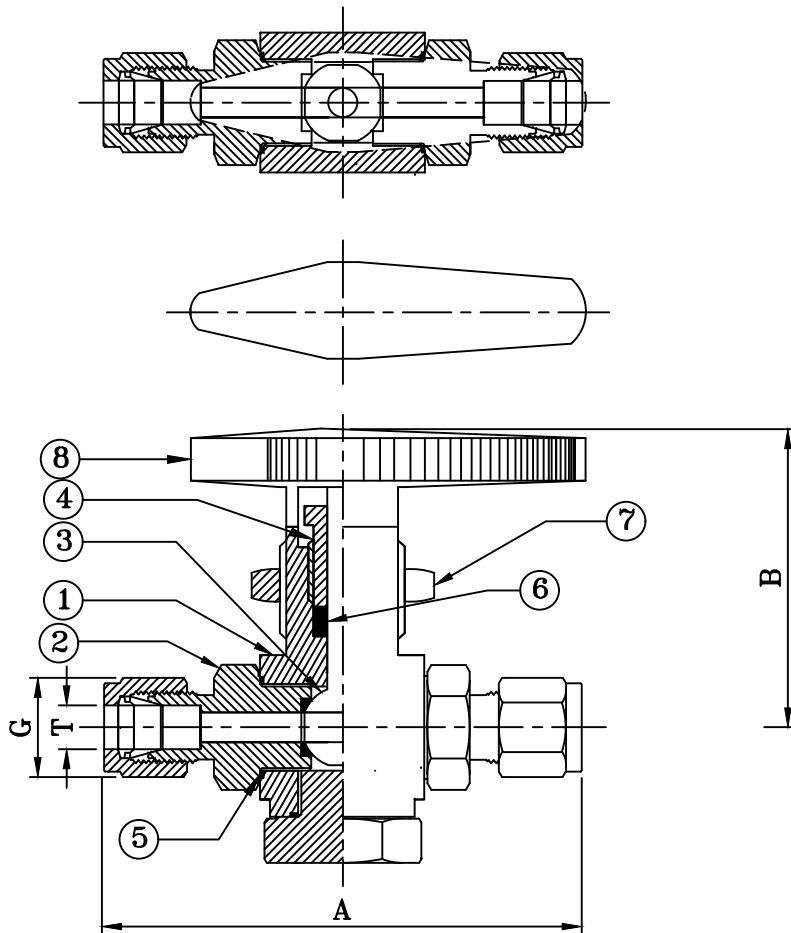


2 WAY BALL VALVE-OD



8.	HANDLE	1	ABS
7.	PANEL NUT	1	A276 TYPE 304/304L/316/316L
6.	GLAND BUSH	1	P.T.F.E/TEFLON
5.	PACKING	3	P.T.F.E/TEFLON
4.	GLAND NUT	1	A276 TYPE 304/304L/316/316L
3.	BALL	1	A276 TYPE 304/304L/316/316L
2.	ADAPTORS	3	A276 TYPE 304/304L/316/316L
1.	BODY	1	A276 TYPE 304/304L/316/316L
SR.NO	DESCRIPTION	QTY	MATERIALS
BILL OF MATERIAL			

PART NO	SIZE	T (OD)	A	B	G
2WBV4T	1/4"	1/4"	76.2	42.0	14.2
2WBV6T	3/8"	3/8"			17.5
2WBV8T	1/2"	1/2"			22.2

NOTES:
 1) ALL DIMENSIONS ARE IN MM. UNLESS SPECIFIED.
 2) PARTS TO BE FREE FROM BURR.
 3) GENERAL TOLERANCE : ± 1MM.
 4) REF. STD. : ASTM F1387

TEST PRESSURE		DATE		BY	
		DRAWN 01.04.10		AL	
AIR TEST		7 Kg/Cm ²		CHECKED	
HYDRO TEST	BODY	210 Kg/Cm ²		APPROVAL	
	SEAT	151 Kg/Cm ²			
NO	DESCRIPTION	SIGN	DATE		
REVISION			SCALE : NTS		

CUSTOMER :
 TITLE: 2 WAY BALL VALVE, OD CONNECTION

 GOREGAON (EAST), MUMBAI-400 063.
 MATERIAL: DWG. NO: SEW-2BV-T REV.: