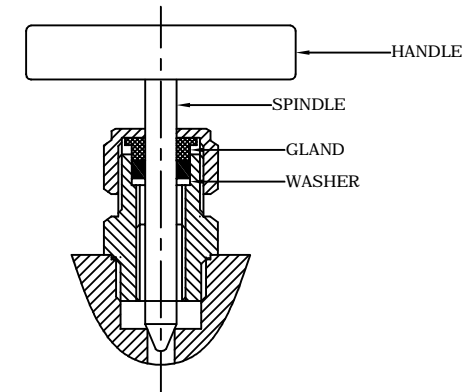
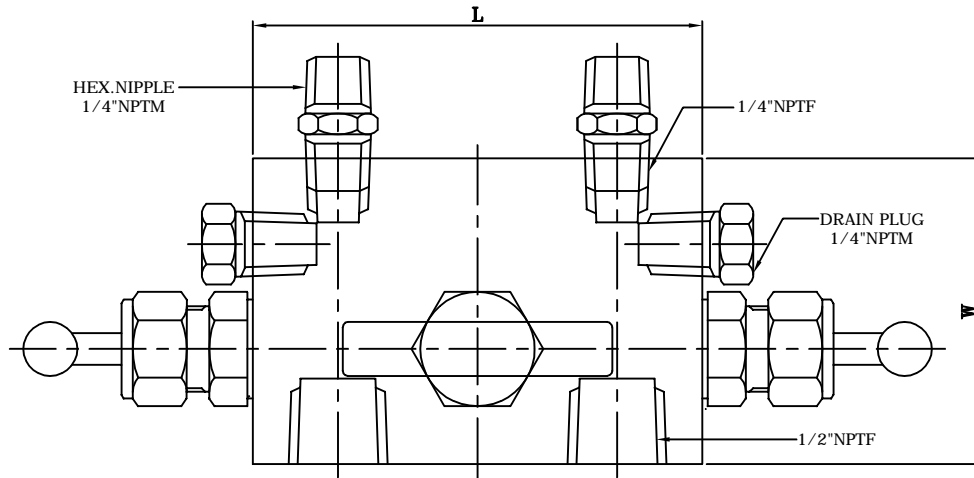


3 WAY MANIFOLD, MALE X FEMALE



**DETAILS OF
BONNET-SPINDLE ASSEMBLY**

