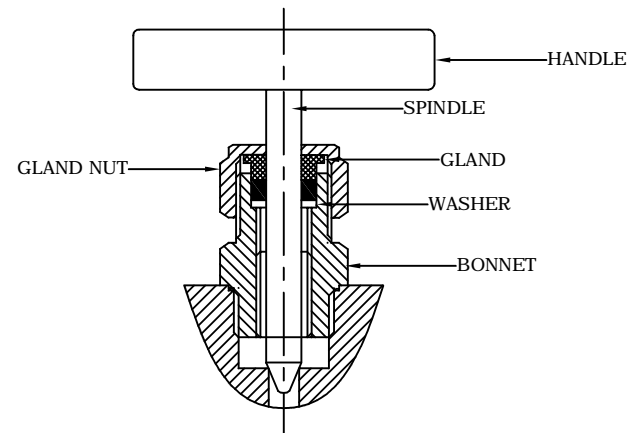
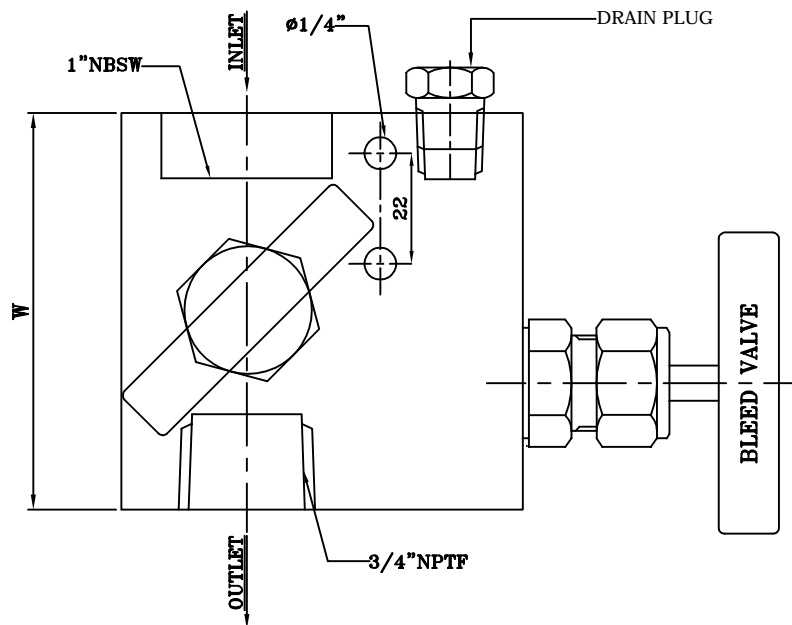


## 2 WAY MANIFOLD VALVE,NBSW X NPTF,(RH)



**DETAILS OF  
BONNET-SPINDLE ASSEMBLY**

