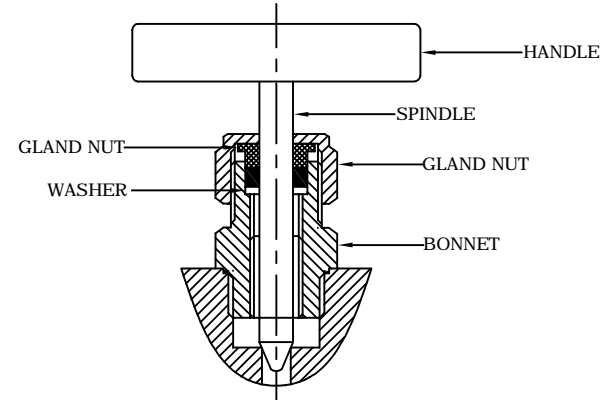
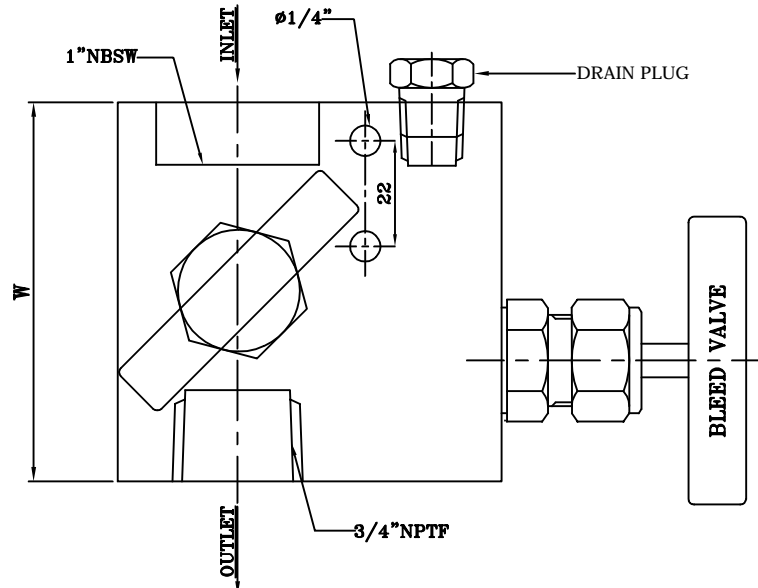


2 WAY MANIFOLD VALVE,NBSW X NPTF,(LH)



DETAILS OF BONNET-SPINDLE ASSEMBLY

